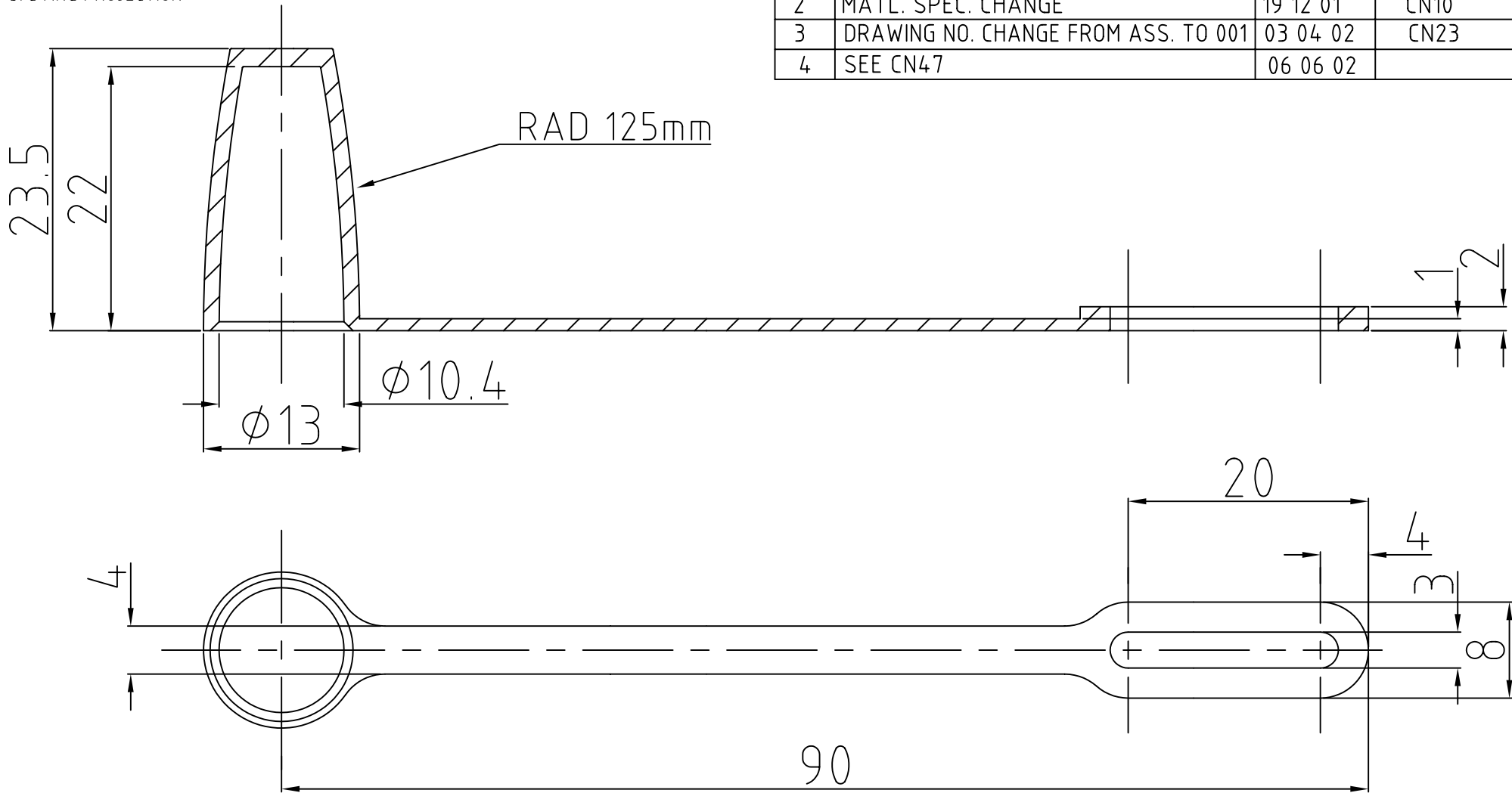


3rd ANG PROJECTION

ALL DIMS IN MM UNLESS STATED

REV	DESCRIPTION	DATE	APPROVED
1	INITIAL ISSUE	29 01 94	DNL
2	MATL. SPEC. CHANGE	19 12 01	CN10
3	DRAWING NO. CHANGE FROM ASS. TO 001	03 04 02	CN23
4	SEE CN47	06 06 02	



NOTES:

EUROPLUS FIBRE OPTICS
 Thompson Drive, AIA, Rendlesham, Woodbridge, Suffolk IP12 2TW
 Tel: (01394) 445100 Fax: (01394) 445109

GEN TOLS	DESCRIPTION
0 = +/-0.5	BICONIC DUST CAP
0.0 = +/-0.3	
0.00 = +/-0.1	

MATERIAL	BLACK PVC C51/40	THIS DOCUMENT CONTAINS PROPRIETARY INFORMATION WHICH SHALL NOT BE REPRODUCED, TRANSFERRED TO OTHER DOCUMENTS, DISCLOSED TO OTHERS USED FOR MANUFACTURING OR ANY OTHER PURPOSE WITHOUT THE WRITTEN AUTHORISATION OF EUROPLUS FIBRE OPTICS Ltd.	DRAWN	CDD	DATE	150796	SIZE	FILE NAME	DWG. No	REV.
FINISH	COLOUR AS REQ'D		CHKD	DNL	DATE	150796		EFA0208ASS	EFA02 08 ASS	4
ICE No:			DO NOT SCALE DRAWING			SCALE	2:1	SHEET		1 of 1